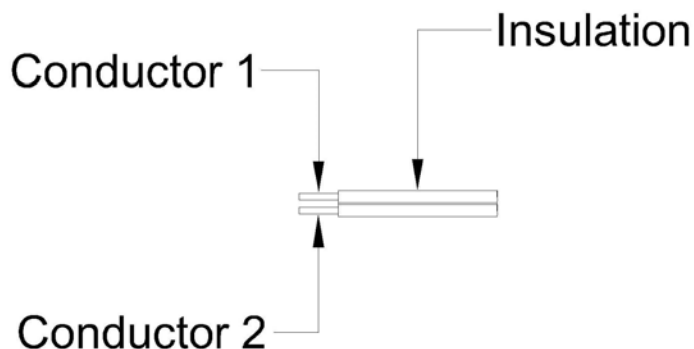




**STEREN**<sup>®</sup>

## **ENGINEERING SPECIFICATION**

### 14-2 Parallel Speaker Cable



#### Mechanical Construction:

**Conductor 1:**

14AWG, Copper, Stranded  
41 x 0.23mm

**Conductor 2:**

14AWG, Tinned Copper, Stranded  
41 x 0.23mm

**Insulation:**

Clear Polyvinylchloride  
Diameter: 3.5mm

#### 14-2 Parallel Speaker Cable

<u>Item</u>	<u>Put-Up</u>	<u>Length</u>
255-314CL	Spool	1000ft
255-414CL	Spool	500ft
255-514CL	Spool	100ft
255-714CL	Spool	50ft
255-715CL	Coil	50ft
255-814CL	Coil	25ft